

Accessory

Enclose Box



Feature

- Mounting hole: $\phi 22$, $\phi 25$, $\phi 30$
- IP65
- Materials are light weight and high durability
- Flame retardant grade: UL V-0

Selection guide

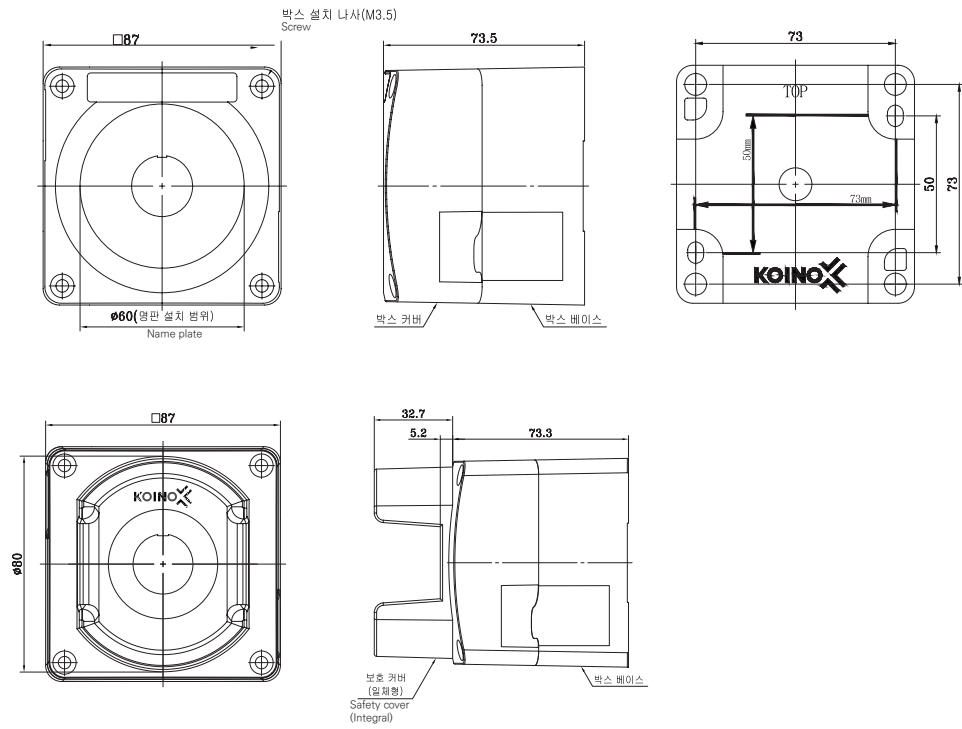


	Manufacturer	KOINO
①	Product name	Safety Enclose Box
②	Diameter	221 : $\phi 22$ mm One Hole type
		251 : $\phi 25$ mm One Hole type
		301 : $\phi 30$ mm One Hole type
③	Safety cover	None: No cover
		S : Safety cover
④	Label printing	None: No printing
		1 : EMERGENCY STOP (Red)
		2 : EMERGENCY OFF (Red)

Specification

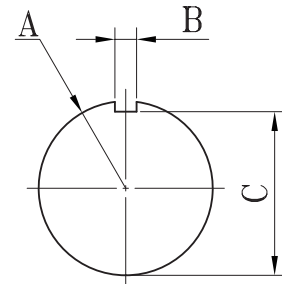
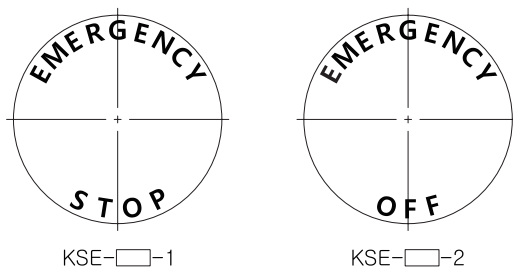
Cassification	Description
Materials	ABS(UL V-0)
Default Color	Body: Yellow, Printing: Red
Operating ambient humidity	45 ~ 85% RH(at no freezing)
Operating ambient temperature	-25~ +60°C(at no freezing)
Storing ambient temperature	-40~ +80°C(at no freezing)
Pollution degree	3
Protection	IP65
Insulation classes	Class II

Dimension



Label sticker

Mounting hole



형명	구분	A	B	C
KSE-221		$\phi 22.3^{+0.3}_{-0}$	3.4 $^{+0}_{-0.2}$	$21.7^{+0.2}_{-0}$
KSE-251		$\phi 25.3^{+0.3}_{-0}$		$24.3^{+0.3}_{-0}$
KSE-301		$\phi 30.3^{+0.3}_{-0}$		$29.2^{+0.3}_{-0}$