



KSE-224-A-P1

KSE-254-A-P1

KSE-304-A-P1

Safety Cover



Features

- Transparent materials for internal visibility
- Without built-in circuitry such as contacts
- Protect internally mounted switches
- Use of environmentally reinforced materials

KSE-224~304-A-P1 SAFETY COVER



KSE-224 / 254 / 304 -A-P1 Protective covers

Available products

KSEP(B)-224~304

NF22~30

KPB25, 30

KSL25, 30

KPL25, 30

KBL25, 30

KH-3071, 3081

KH-3011, 3012

KH-3008

KH-3040

KH-3130

KH-3046ER

KH-501~506

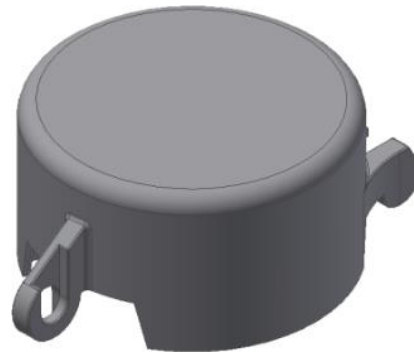
KH-511~514

NS22 Series

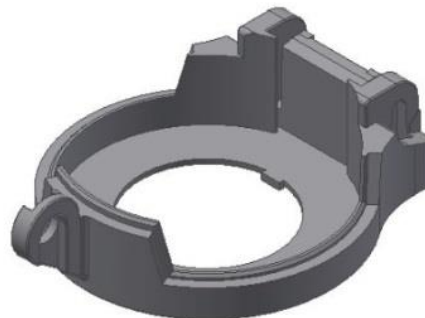
(excl. Double button)

KH-2201~2204

(excl. Long lever)



SE-22-067 - Top

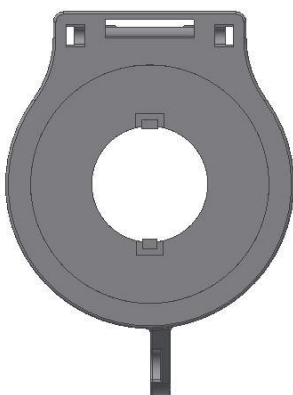


SE-22-066
(Ø22, Ø25, Ø30)
Bottom

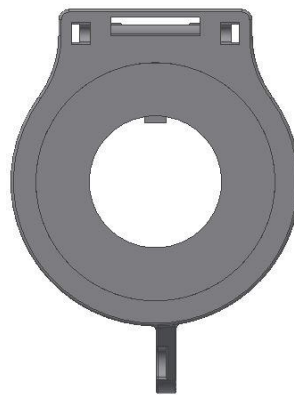


SE-22-051
Panel attachment rubber ring

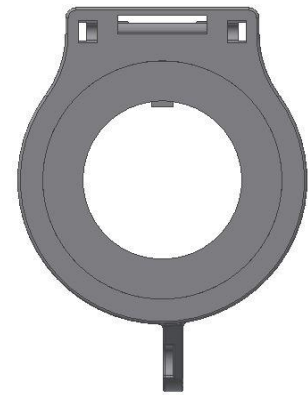
KSE-224~304-A-P1 Mounting hole



Ø22



Ø25



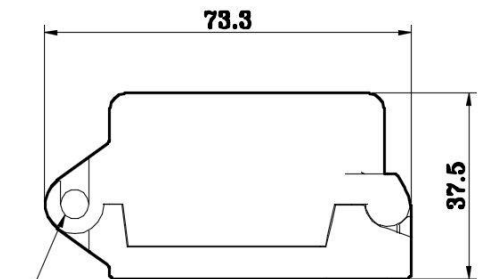
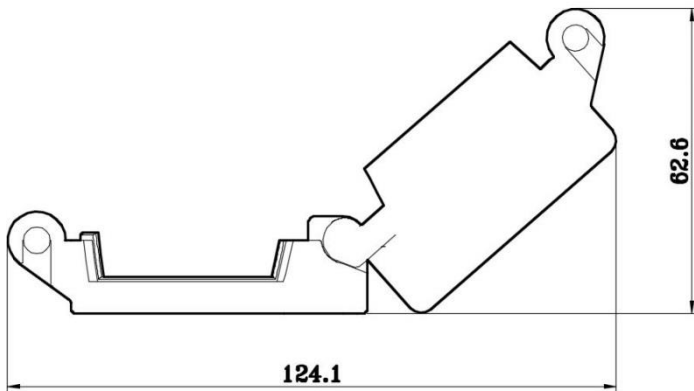
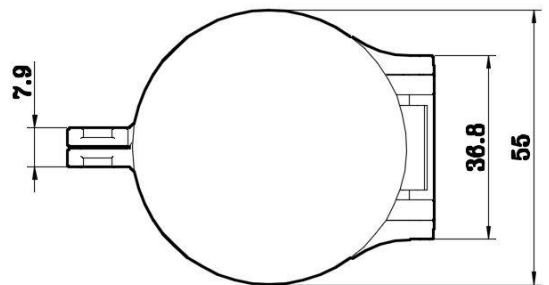
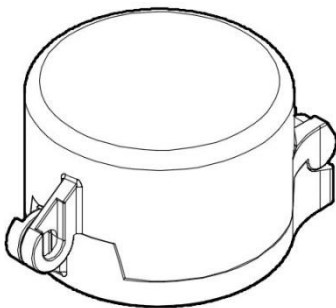
Ø30

Classification

KSE-□□4-A-P1

	KSE	Type code
Hole diameter	22	Ø22
	25	Ø25
	30	Ø30
Category	A	Accessory
Format	P1	Protective cover (cover-mounted)

Dimension



Ø5.6(자물쇠 구멍) Padlock hole